

ATLAS Teamwork: ATLAS Teamwork:

AR 35/35 Super



Operation weight 2500 kg / 2875 kg
 Power 24.6 kW (33.5 HP) / 29.4 kW (40 HP)
 Shovel capacity 0.34 m³ / 0.40 m³

AR 40



Operation weight 3300 kg
 Power 29.4 kW (40 HP)
 Shovel capacity 0.50 m³

AR 50



Operation weight 3950 kg
 Power 42 kW (57 HP)
 Shovel capacity 0.70 m³

AR 60



Operation weight 4650 kg
 Power 47.5 kW (65 HP)
 Shovel capacity 0.85 m³

AR 65 Super



Operation weight 4800 kg
 Power 51.3 kW (70 HP)
 Shovel capacity 0.80 - 1.00 m³

AR 75



Operation weight 5600 kg
 Power 55 kW (75 HP)
 Shovel capacity 1.00 m³

AR 75 S



Operation weight 6000 kg
 Power 55 kW (75 HP)
 Shovel capacity 0.80 m³

AR 80



Operation weight 5750 kg
 Power 59.3 kW (81 HP)
 Shovel capacity 1.00 m³

AR 85



Operation weight 6700 kg
 Power 71.2 kW (97 HP)
 Shovel capacity 1.30 m³

AR 95/95 Super



Operation weight 7900 kg / 8100 kg
 Power 74.9 kW (102 HP) / 92 kW (125 HP)
 Shovel capacity 1.40 - 1.60 m³

Technical data without engagement.
 Subject to change without notice.

ATLAS
 WEYHAUSEN

ATLAS WEYHAUSEN GmbH
 Maschinenfabrik
 Visbeker Straße 35
 D-27793 Wildeshausen
 Telephone +49 (0)44 31/981-0
 Fax +49 (0)44 31/981-225
 www.radlader.com

01/2010

AR 60



- Landscaping, construction trade, recycling, material handling, agriculture
- Operating weight: 4650 kg
- Power: 47.5 kW

ATLAS
 WEYHAUSEN

TECHNICAL DATA AR 60

Engine

Make: Deutz Diesel engine TD 2009 L04
 Type: water cooled
 Power^{***}: set to 47.5 kW (65 hp)
 at 2500 min⁻¹
 Max. torque: 203 Nm at 2000 min⁻¹
 Stroke: 2290 cm³
 Cylinders: 4 in line
 Electrical System: Operating voltage 12 V
 Battery 12V/88 Ah Alternator 14V/50 A
 Starter 12V/2.0 kW

Drive

- Output regulated hydrostatic drive with pressure cut off and closed circuit acting on all 4 wheels
- Speed with standard tires:
- Operating speed range 0–6.5 km/h
- Road speed range 0–20 km/h
- 1st and 2nd hydraulic gear can be engaged under load, forward/backward travel also
- Forward/backward travel, speed ranges and off-position operational via ATLAS joystick
- Drive operated by accelerator and separate inching pedal for best distribution of the hydraulic power for thrust and lifting forces

Axles

Rigid axles with planetary reduction gears in wheel hubs, connecting electrically 100% - differential lock in front and rear axle.

Brakes

Standard brake: Multi-disc brake in oil bath acting on all 4 wheels. Supplementary brake functions via inching pedal and hydrostatic drive acting on all 4 wheels.

Parking brake: Parking brake as spring-loaded brake acting on all 4 wheels. In case of standstill of engine the spring-loaded brake is automatically re-activated.

Steering

- Fully hydraulic center pivot steering
- Front and rear wheels follow the same track
- Steering angle 40° to each side, ± 12° angular movement at rear of vehicle
- Operating pressure of steering hydraulics 175 bar
- Emergency steering function

Hydraulic system

- Hydraulic system
- Gear pump for loading and steering hydraulics
- Priority valve favoring steering hydraulics
- 3rd steering section for loading hydraulics mechanically controlled by ATLAS joystick, including float position
- Operating pressure 230 bar
- Delivery of pump 62.5 l/min

Loading equipment

- Powerful and solid Z-kinematics with high tear out force
- Hydraulic quick change device
- Activation of all functions by ATLAS joystick
- Parallel movement while using pallet forks
- Automatic mid position of joystick
- Automatic shovel return to excavation position
- Locking device acc. to German StVZO for road travel
- Lifting 5.3 s
- Lowering 4 s
- Tipping 1.5 s

Standard equipment

- Rear driving mirrors, foldable
- Heatable rear screen
- Access left side, right window to open can be fastened
- Single lever operation via ATLAS joystick
- Control lights for speed, forward/backward travel
- Lights acc. to German StVZO for road travel
- Individually adjustable driver's seat
- Hot water heating with heat exchange and 3-stage fan
- Front screen ventilation, variable output
- Sound absorbing ROPS cab
- Windscreen wipe and wash unit in front and rear
- Sun visor, ceiling lamp, stow facility
- Heat protection glazing with large tinted screens
- Warning lights for engine oil pressure, overheating, hydraulic oil temperature, battery power, parking brake, air filter
- Central dashboard with indicator for preheating, fuel, working hour meter

Options

- Main battery switch
- Special colors and oils
- Cyclone dust separator
- Load check valve for lifting and working cylinders
- Trailer coupling
- Anti-theft-device with code stick
- Radio
- Warning beacon

More options upon request

Tires

Standard:
 12.5 – 18 MPT – Multi-purpose tires for sand and gravel surfaces, woodland, roads and paths

Special tires:
 12.5 – 20 MPT – Multi-purpose tires for sand and gravel surfaces, woodland, roads and paths
 405/70 R18 SPT9 – Construction machine tires for clay, sand, gravel, asphalt, roads, gardening and landscaping
 400/70 R 20 XMCL – Wheel loader tires for clay, sand, gravel, fields and greenland, fortified roads
 335/80 R20 EM – Construction machine tires for clay, sand, gravel, asphalt, roads, gardening and landscaping
 15.5/55 R 18 – Construction machine tires for clay, sand, gravel, broken stone and fortified roads
 More special tires upon request

Fuel/oil capacities

Diesel:	61.5 l
Hydraulic oil:	60 l
Engine oil:	10 l
Front axle:	5 l
Rear axle:	5.8 l
Gear oil:	2.5 l
Cooling liquid:	5.2 l

Operating data

Shovel capacity acc. to SAE:	0.85 m ³
Track width:	1460 mm
Turning radius	
(outer shovel edge):	3977 mm
Tear out force:	5160 daN
Torque:	4250 daN
Tipping load, straight:	3635 kg
Tipping load, articulated:	3200 kg
Lifting capacity at ground level:	4650 daN
Service weight:	4650 kg

Differing data for use of pallet forks (500 mm distance to center of gravity)*
 Static tipping load, straight and articulated: 2671 kg
 Lifting capacity: 2845 daN
 Payload 80% even surface^{**}: 2137 kg
 Payload 60% uneven surface^{**}: 1602 kg

* Travel with load only permitted close to the ground.

** According to ISO 8313 and EN 474-3.

*** According to ISO 14396, EU RL97/68/EC.

Specific gravity for material handling

material	weight (t/m ³)
concrete	1.9
soil (dry)	1.5
soil (watery)	2.0
rock (fill)	2.4
granite	1.8
limestone	1.6
gravel (dry)	1.9
gravel (watery)	2.1
loam	1.7
plaster	2.2
sand (dry)	1.9
sand (watery)	2.1
sandstone	2.4
shale	2.2
sediment	2.1
crushed stone	1.5
de-icing salt	1.3
clay	1.6
cement	1.7
clinker (stacked)	1.8

Industry

ember	0.7
brown coal briquette	0.8
ferrous product	7.8
iron ore	2.3
cullet	1.9
gas coke	0.4
timber	0.8
mineral coal	1.2
paper	0.9
slag	1.0
slag concrete	2.7

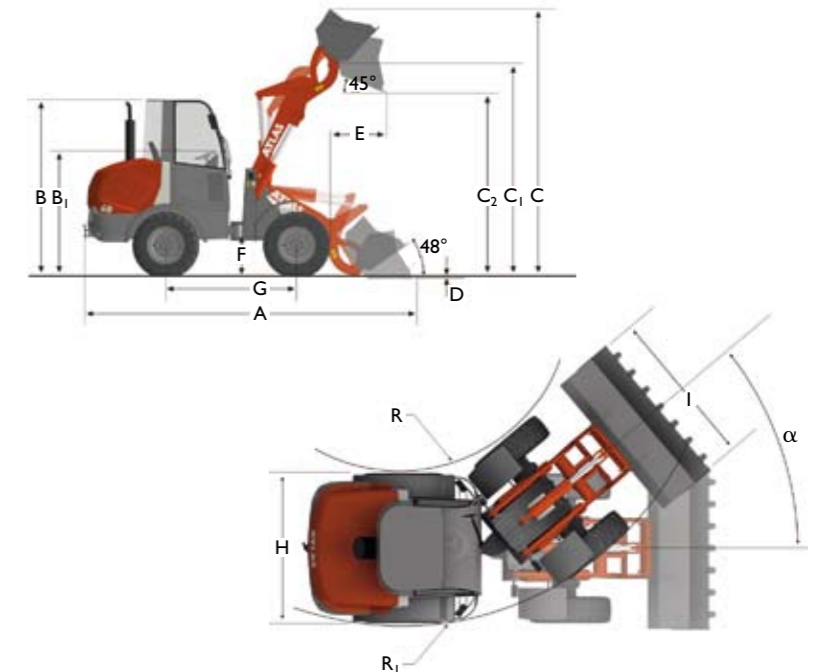
Landscaping, agriculture

agricultural crop	0.7
grain	0.6
hay	0.3
potash	1.1
compost	1.0
flour	0.5
clay (watery)	2.3
phosphate fertilizer	2.2
turf (watery)	1.1
turf (dry)	0.4
mineral fertiliser	1.0

Technical data with standard shovel.

AR 60

A	5250
B	2475
B ₁	1765
C	3930
C ₁	3130
C ₂	2475
D	85
E	670
F	440
G	2000
H	1785
I	1850
R	1840
R ₁	3690
All specifications in mm	
α	40°



Technical data with pallet forks.

AR 60

A	5540
B	2475
B ₁	1765
C	3380
C ₁	2925
C ₂	1315
D	70
E	430
E ₁	1200
E ₂	750
F	440
G	2000
H	1785
I	1030
R	1840
R ₁	3690
All specifications in mm	
α	40°

